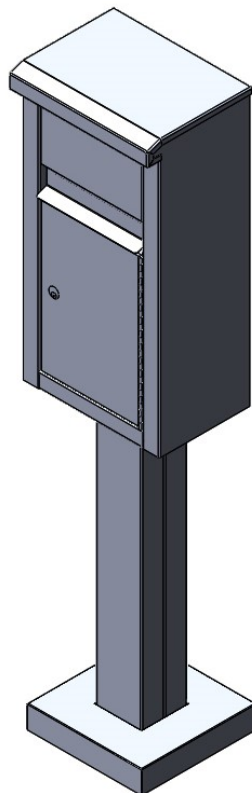
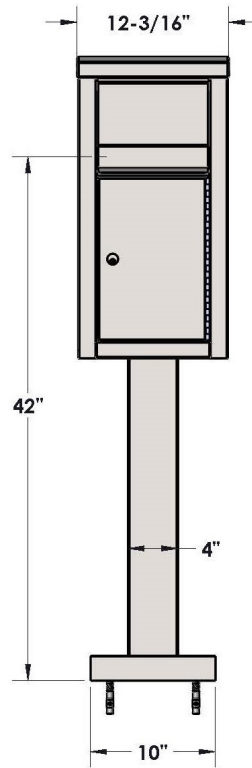
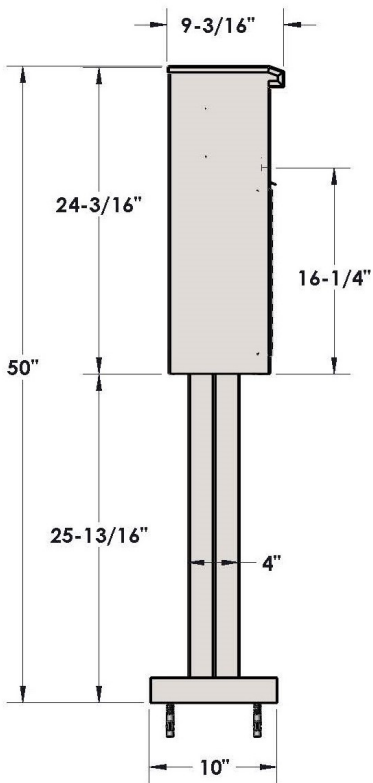


# Pedestal Deposit Box

**HAMILTON  
DRIVE/WALK UP**



Standard Labels:

DROP BOX,  
DEPOSITORY,  
LETTERS

- Kit# PED-100-KIT**
- 12"W x 24"H Deposit Box
  - 25" High Pedestal
  - Finish:304 Stainless
  - Impact resistant
  - Durable Piano Hinge
  - Key Lock Operation
  - Envelope Storage
  - Raised bottom with Weep holes
  - Concrete anchors included for easy installation
  - Black Vinyl Labels

est. 1967

**HAMILTON**  
CUSTOM MADE SECURITY

A **GUNNEBO**® COMPANY



7775 Cooper Road | Cincinnati, OH 45242 | 513.874.3733 | [hamiltonsecuritysolutions.com](http://hamiltonsecuritysolutions.com)

©2020 Hamilton 4.2020